



VELONTIC
CARBON FRAME REPAIR & CUSTOM PAINT

| Bike Shop:

If being submitted by shop

Shop Name :

Contact Name :

Phone :

Email :

Hardtail MTB

**CUSTOM
PAINT**

OWNER INFORMATION

First Name : Last Name :

Email : Phone :

Return Address :

Suite/Apt. : City :

State : Zip Code :

BIKE INFORMATION

Manufacturer : Model :

Frame Material :

Condition : Does the frame have excessive wear or paint chipping? Yes No

COLOR SELECTION *Effects are not required*

Main Color : 4th Color :

Effect : Effect :

2nd Color : 5th Color :

Effect : Effect :

3rd Color : 6th Color :

Effect : Effect :

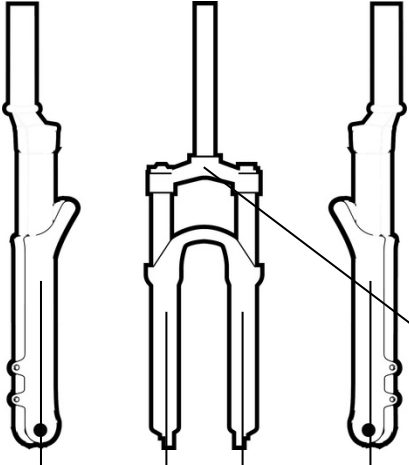
Frame Finish : Gloss Finish Matte/Flat Finish



VELONTIC
CARBON FRAME REPAIR & CUSTOM PAINT

How to:

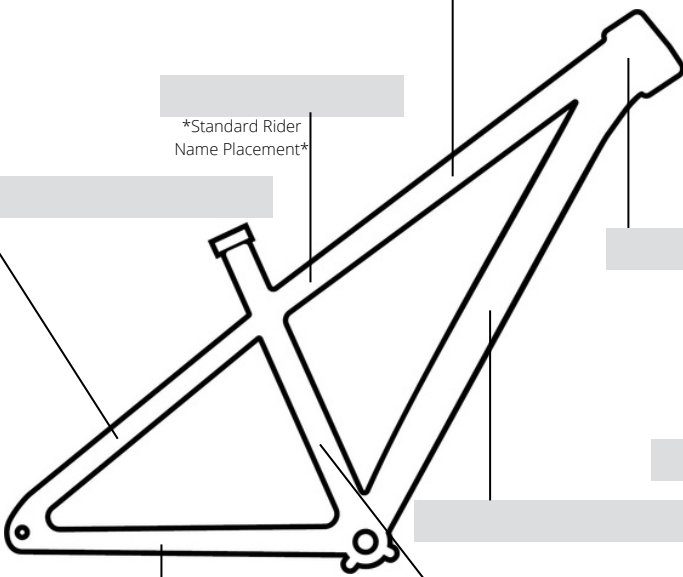
You can use this form to design your own graphics and logos and email us your design. Briefly fill in the logos or details of graphics you would like for each area of the frame accompanied with the color. For example on the down tube for the manufacturer name you would fill in "Trek 2". 2 corresponding to the color list on the previous page. Leave any area blank that you would like not to have graphics or logos. Further details can be listed in the notes section below. All designs will be reviewed and you will be contacted if further details are needed.



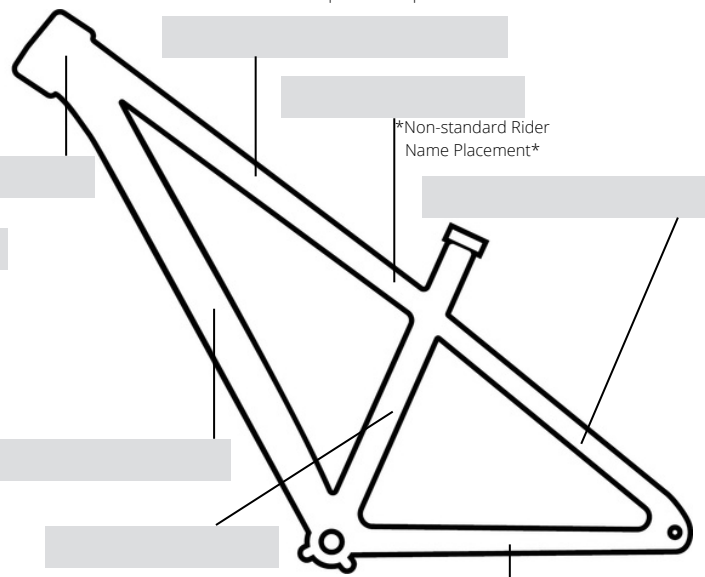
Front head tube/head badge



Top view of top tube



Standard Rider Name Placement



Non-standard Rider Name Placement

NOTES

Blank area for notes.



VELONTIC
CARBON FRAME REPAIR & CUSTOM PAINT

| How to:

Use this page to include any more details that you would like about your paint work. You can also email us images of examples of logos, graphics, or bike designs that you would like to incorporate with your design to info@velontic.com

NOTES CONT'D

A large, empty rectangular area with a light gray background, intended for notes or additional information.